

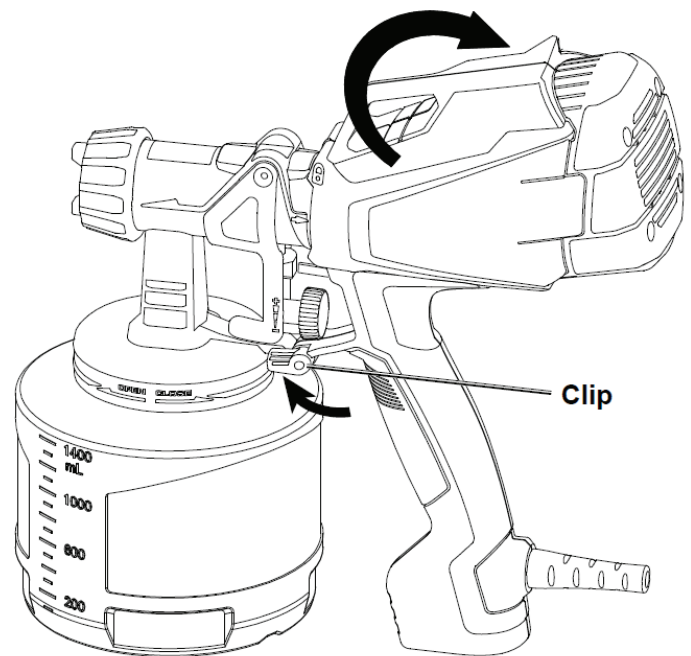
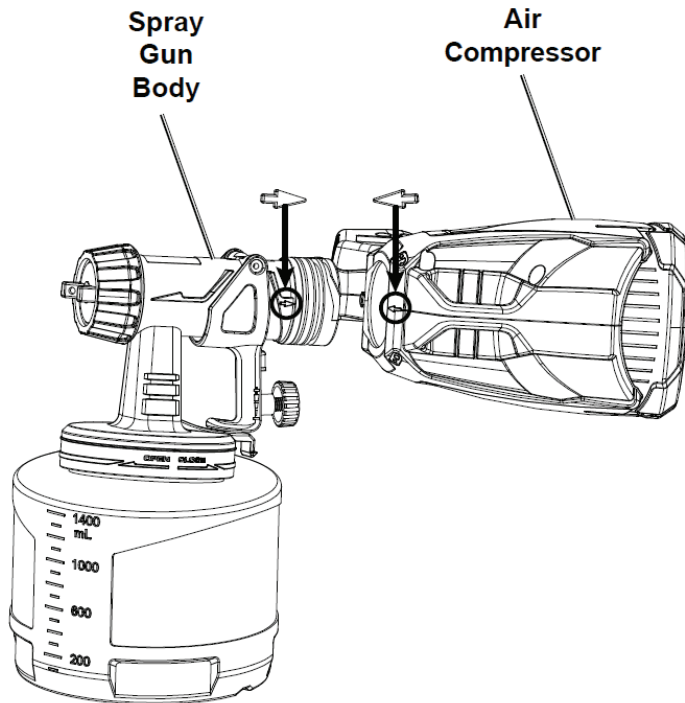
# JBI Electric Disinfectant Sprayer

The Electric Disinfectant Sprayer is a simplistic means to misting interiors & exteriors of transport vehicles, personal equipment, and small areas in an effective way. Proper personal protection is required, goggles, mask, gloves and long sleeves. **Use caution at all times.**



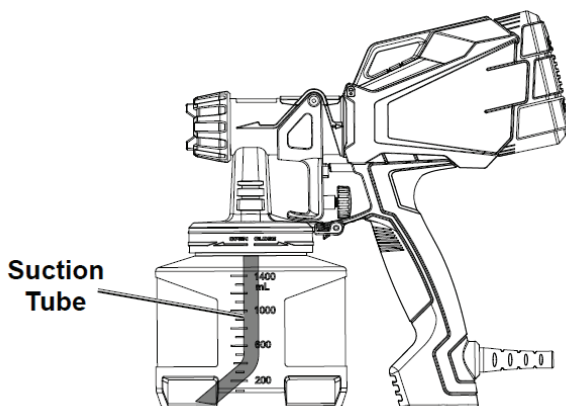
## ASSEMBLY OF ELECTRIC SPRAYER

1. Line up arrow on Spray Gun Body to arrow on Air Compressor.
2. Turn Air Compressor clockwise until it locks with Spray Gun Body.
3. Push Clip forward until it clicks to attach Air Compressor and Spray Gun Body together.

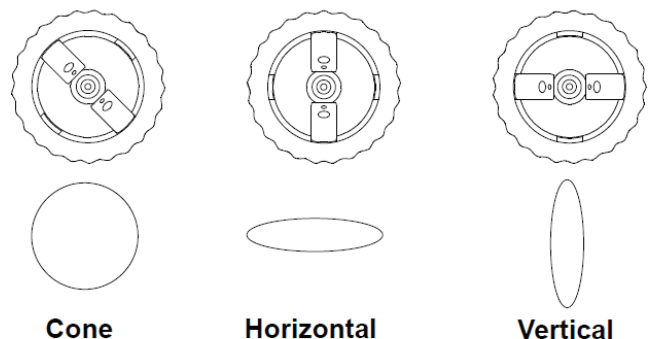


## SUCTION TUBE POSITION

Take swift actions back and forth. Not recommended to point upward for long periods of time or upside down.



### Nozzle Positions (*Cone Shape is Recommended*)



## USAGE INSTRUCTIONS

1. Cover all electronics, papers, and items that should not be misted.
2. Remove fish tanks, plants, food, pets, and any perishables.
3. Plug the Electric Disinfectant Sprayer into an outlet with ample extension cord to cover the designated area.
4. Test your spray in an area to adjust nozzle and fluid control knob. For best results, adjust sprayer to a light consistent mist.
5. **DO NOT OVER MIST.** IT TAKES ONE PASS TO COVER AN AREA.

